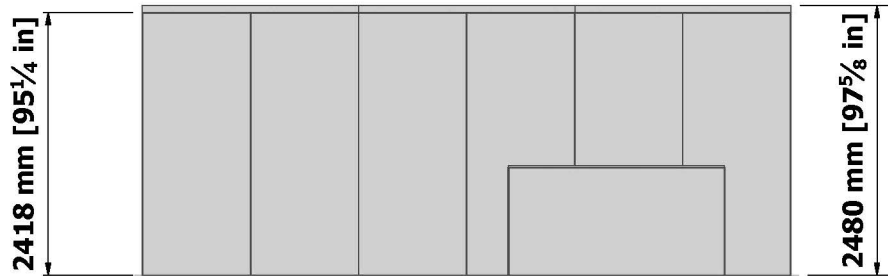
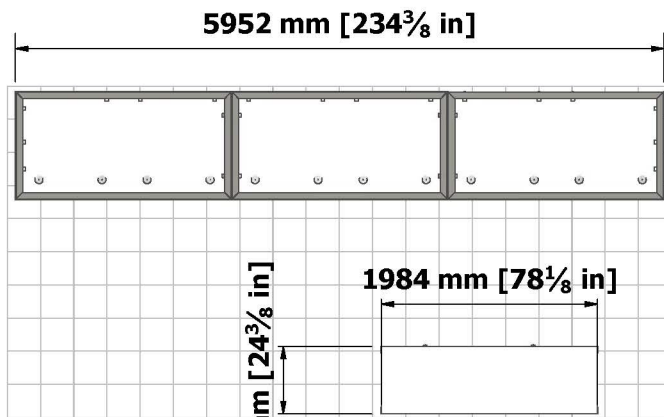


HUDDLE -> 10 X 20

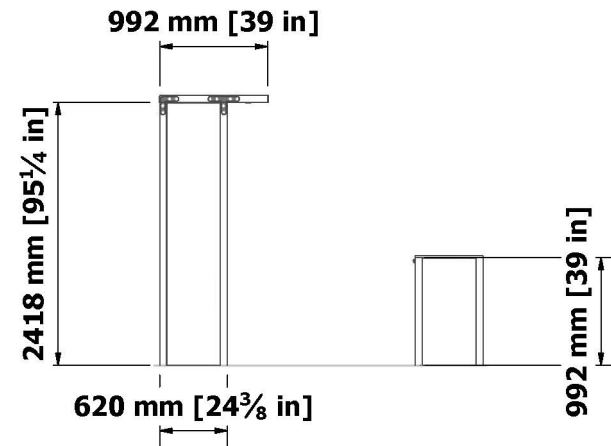
All concepts and designs by The Expo Group are protected under current Federal Copyright Laws. Unauthorized use or reproduction without the written consent of The Expo Group is forbidden.



FRONT VIEW

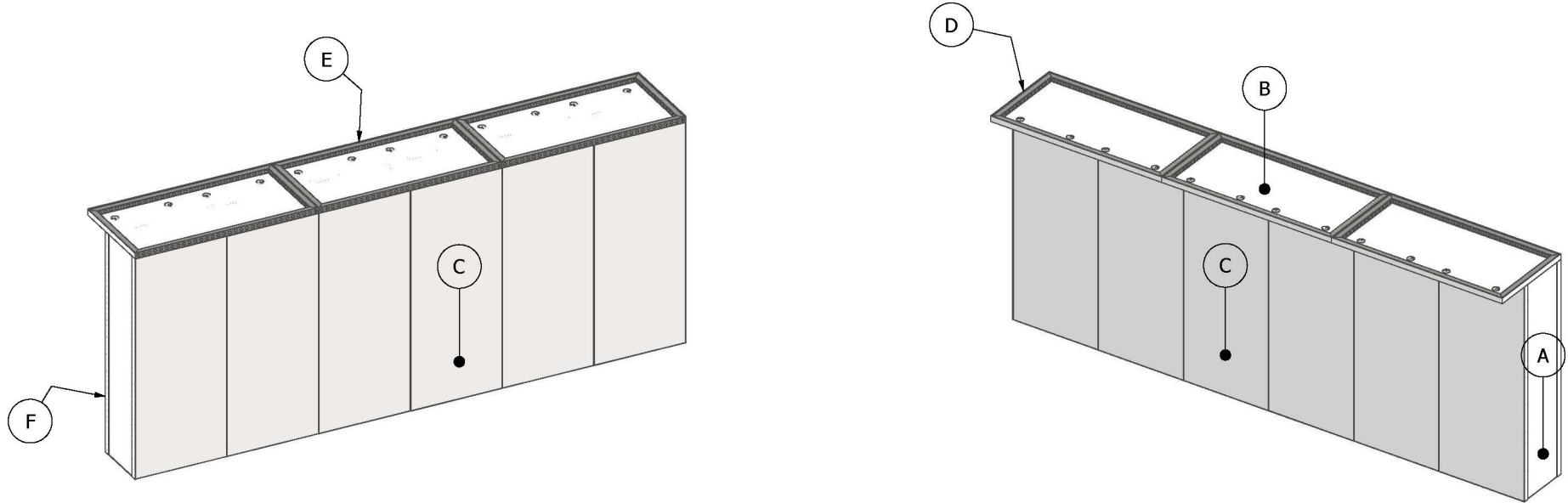


TOP VIEW



SIDE VIEW

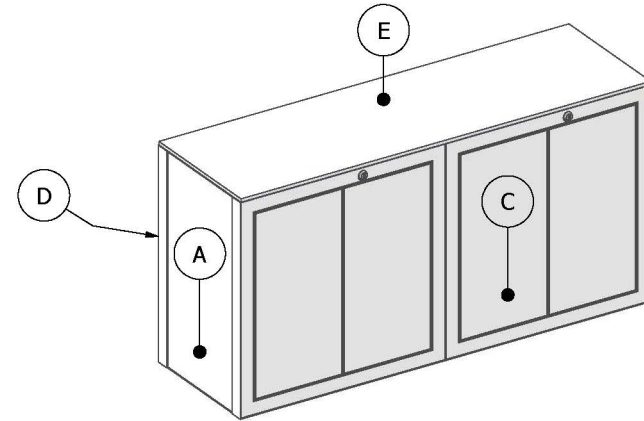
HUDDLE -> 10 X 20



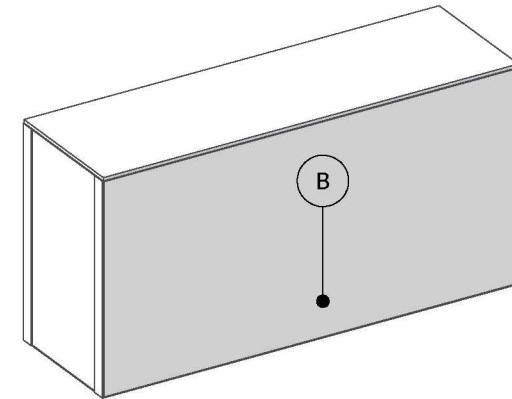
PANEL LIST			
ITEM	QTY	ARTICLE	DESCRIPTION
A	2	Panel for 0496 2418 Frame	19-5/16" x 94-15/16" [0490 X 2412MM]
B	3	Panel for 0992 1984 Frame	38-13/16" x 77-7/8" [0986 X 1978MM]
C	12	Panel for 0992 2418 Frame	38-13/16" x 94-15/16" [986 x 2412MM]
D	2	Panel Strip for 0992 Frame	2-7/16" x 39-1/16"
E	3	Panel Strip for 1984 Frame	2-7/16" x 78-1/8"
F	4	Panel Strip for 2418 Frame	2-7/16" x 95-3/16"

HUDDLE -> 10 X 20

All concepts and designs by The Expo Group are protected under current Federal Copyright Laws. Unauthorized use or reproduction without the written consent of The Expo Group is forbidden.



PARTS LIST			
ITEM	QTY	ARTICLE	DESCRIPTION
A	2	Panel for 0496 0992 Frame	19-5/16" x 38-13/16" [0490 X 0986MM]
B	1	Panel for 0992 1984 Frame	38-13/16" x 77-7/8" [0986 X 1978MM]
C	2	Door Panel Set	
D	4	Panel Strip for 0992 Frame	2-7/16" x 39-1/16"
E	1	2m Countertop [1984 x 620 mm]	78-1/8" x 24-7/16"



HUDDLE -> 10 X 20

All concepts and designs by The Expo Group are protected under current Federal Copyright Laws. Unauthorized use or reproduction without the written consent of The Expo Group is forbidden.